

SR-4 - Sensor Socket for TGS 8-series Sensors

Features:

- * Durable for over 100 insertions and removals
- * Firmly fixes sensor into place

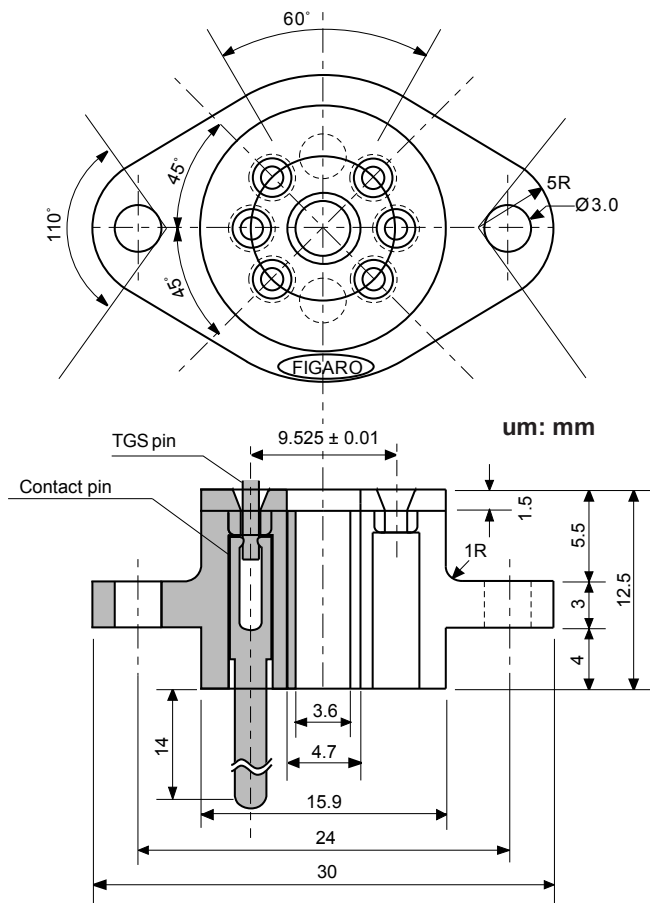
Applications:

- * For use in preheating racks, test and calibration equipment
- * For use in finished products



SR-4 is a reliable and durable socket supplied by Figaro, designed specifically for usage with TGS 8-series sensors.

Structure and Dimensions



Specifications:

Model No.	SR-4	
Applicable gas sensor	Figaro 8xx sensors	
Operating conditions	-20°C~70°C	
Material	Contact pins	Phosphor bronze for springs
	Insulator	GF reinforced Nylon 6 resin
Weight	approx 4.5g	