

SR-2 - Sensor Socket for 8-series Sensors

Features:

- * Durable for over 150 insertions and removals
- * Firmly fixes sensor into place
- * RoHS compliant

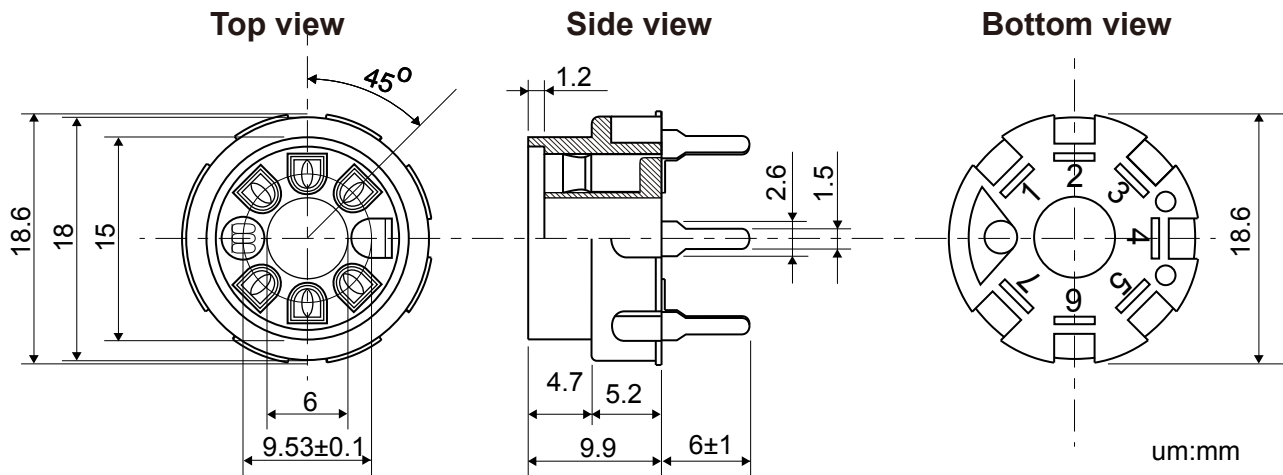
Applications:

- * For use in preheating racks, test and calibration equipment
- * For use in finished products



SR-2 is a standard socket supplied by Figaro, designed specifically for usage with 8-series sensors.

Structure and Dimensions



Specifications

| | | |
|------------------------|-----------------|---------------------|
| Model No. | SR-2 | |
| Applicable gas sensors | Figaro 8-series | |
| Operating conditions | -10~70°C | |
| Materials | Housing | PET UL94V-0 Black |
| | Pin | PBR t0.25 Sn-plated |
| Weight | approx 2.8g | |

Recommended PCB Layout

